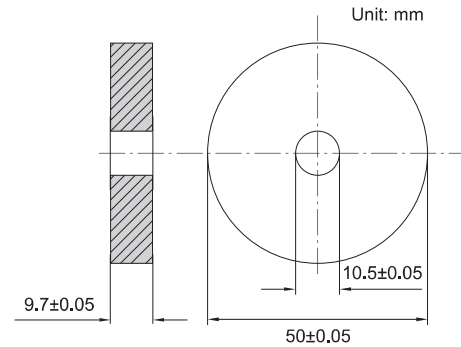


# MAGNETIC POWDER TYPE I TEST BLOCK CODE MPI-MTU3



- Conform to standard ISO 9934-2: 2002
- The test block is a disc with natural cracks in the surface, it contain coarse cracks and fine cracks produced by grinding and stress corrosion
- The test block is permanently magnetized by a central conductor through the hole, evaluation of a detection media is made by visual or other methods

## SPECIFICATION

Material	90MnCrV8
Surface hardness	63HRC~70HRC
Magnetization method	1000A Magnetization of DC center conductor